

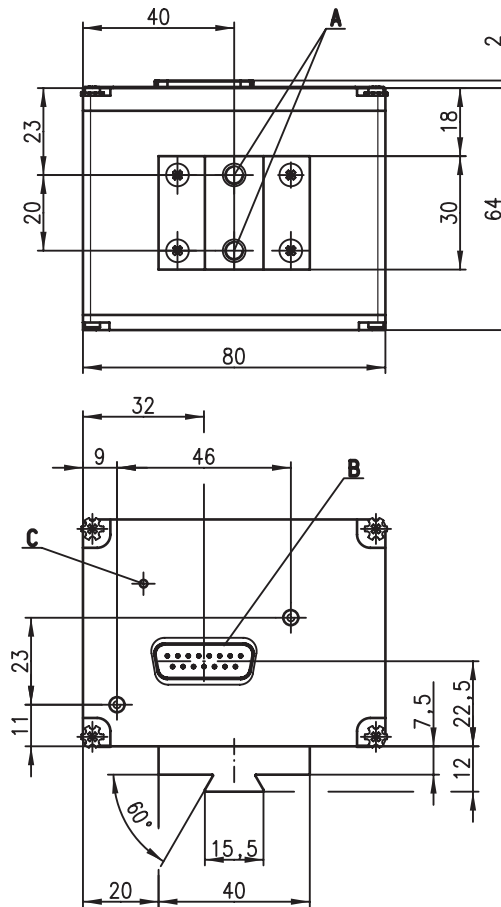


VisionREADER 2300

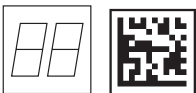
2D code reader



Dimensioned drawing



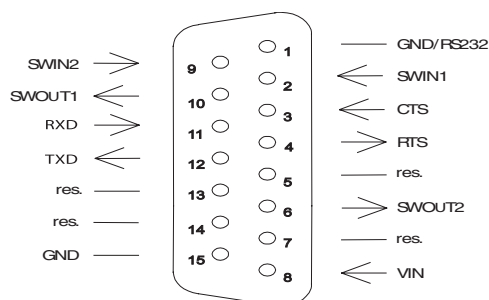
- A For screw M6x8
- B 15-pin sub-D connector
- C LED green/red



- Code reader for Data-Matrix codes, bar codes, and optionally PDF 417, RSS-14 etc.
- High resolution for parts and labels directly marked
- External trigger possible
- Built-in decoder
- Read-display
- RS 232 interface
- Operating temperature from 5 through 40°C



Electrical connection



We reserve the right to make changes • db\_vr2300\_e.fm

Accessories

- **MA 2** Part No. 500 31256  
Modular connector unit
- **MA 2 L** Part No. 500 36186  
Modular connector unit
- **MA 42 DP-k** Part No. 500 35298  
Modular connector unit for Profibus
- **KB 031-3000** Part No. 500 35355  
Connection cable for MA 2 and MA 42 DP-k
- **KB 040-3000** Part No. 500 26658  
Connection cable for MA 2 L
- **BT 56** Part No. 500 27375  
Mounting bracket for rod



## Specifications

### Electrical data

Operating voltage  $U_B$  10 ... 30VDC  
Current 600mA

### Interfaces

Interface type RS 232 (Host) for code output  
Connections 2 electrically insulated inputs  
2 electrically insulated outputs  
Trigger serial or digital input

### Code types

Code types Data Matrix ECC 200 (10x10 to 64x64)  
bar codes: 2/5 Interleaved, UPC/EAN/JAN, Code 39,  
Code 128  
optional: PDF 417, RSS 14  
Read direction omnidirectional, various tilt and rotational  
angles up to 20°

### Optical Data

Optical system CMOS 800x600 pixel  
Contrast 15% (black/white)  
Light source integrated LED (flash/continued)  
VR 2300 S M 100 VR 2300 S F 100  
Point of focus 55mm 80mm  
Read distance 10 ... 150mm 40 ... 172mm

### Mechanical data

Housing diecast aluminium  
Protection class IP 65  
Weight 400 g  
Dimensions 80x60x64mm  
Fastening 2xM6 screws, dovetail

### Environmental data

Ambient temp. (operation) 5°C ... +40°C  
Relative air humidity 5 to 90% (non-condensing)

## Tables

## Diagrams

## Order guide

### 2D code reader

VisionREADER 2300 S M 100  
VisionREADER 2300 S F 100

### Part No.

500 39357  
500 39358

## Remarks

2D code reader in metal housing (IP 65) with integrated high-power decoder (300 MIPS) data transmission via programmable RS 232 interface for industrial use.